



Mobile device for automated concentration measurement of PCB and stencil cleaning processes



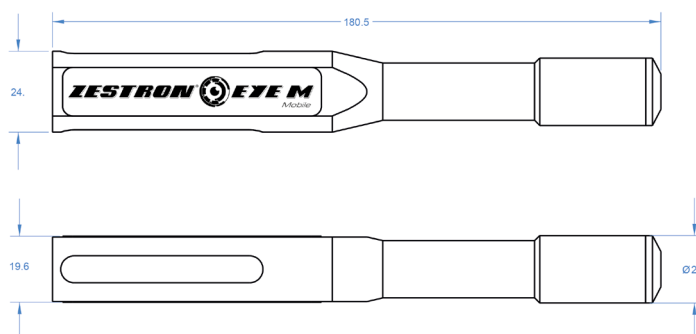
The ZESTRON® EYE Mobile is the ideal tool to monitor the cleaning agent concentration of several pcb and stencil cleaning machines with only one device. Configure preset profiles for individual locations using the intuitive software menu allowing even untrained operators to make fast, precise concentration measurements.

Moreover, the device is capable of recommending the appropriate cleaning agent or DI-water addition to obtain optimum concentration within the wash tank.

To fulfill traceability and documentation requirements, the ZESTRON® EYE Mobile saves all measurement values which can be exported via a USB interface.

Technical Data

	Controller	Sensor	Cable
Material	ABS (housing), TPE (decorative sealing)	1.4571 Stainless steel	PUR
Dimensions	Length: 183 mm Width: 93 mm Height: 35 mm	Length: 180.5 mm Diameter: 24 mm	Length: 1.5 m Diameter: 9 mm
Connectors	USB Type B, 8-pin push-pull connector	8-pin push-pull connector	
Operating temperature	Ambient temperature: 0 to 40°C, Storage/ transport: -20 to 60°C	Ambient temperature: 0 to 100°C, Storage/ transport: -20 to 120°C	
Power Supply	Built-in Li-Ion battery with a capacity of 2300 mAh. Charging via USB interface according to standard BCv1.2 (5 V/ 1 A)		
Mass	0.42 kg	0.3 kg	0.1 kg
Protection Class	IP 65	IP 68 when plugged in	IP 68 when plugged in



Content of the ZESTRON® EYE Mobile case

Sensor
Controller
Cable (1.5 m)
USB stick includes user manual and Basic Viewer software for PC
Quick guide
USB cable
Power connector for charging



Application

- Recommended Method:**
 Take a working bath solution from your machine(s) in a beaker / laboratory bottle (500 ml). For the measurement, we recommend mixing the sample with a magnetic stirrer.
- Alternative Method:**
 Depending on the machine(s), if possible, use the ZESTRON® EYE Mobile to measure directly within the working bath solution.



Avantages

- Independent mobile use with long battery life
- Fast and precise concentration measurement
- Intuitive menus for easy operation - no detailed knowledge of measurement technology necessary
- Individual user defined profiles to suit your specific circumstances
- Can be used for up to 10 different cleaning machines
- Dosing recommendation for cleaner concentrate and Di-water
- Data recording and logging
- USB interface for exporting data
- No installation in the cleaning machine necessary

Product Features & Standards



100% compliance with EU guidelines 2011/65/EU (ROHS 1, 2 & 3 WEEE)

General product safety Directive 2001/95/E:
EN 61010-1 : 2010, EN 60529 : 2000

Electromagnetic compatibility directive 2014/30/EU
EN 61326-1 : 2013: electromagnetic interference class B, immunity class A, group 1